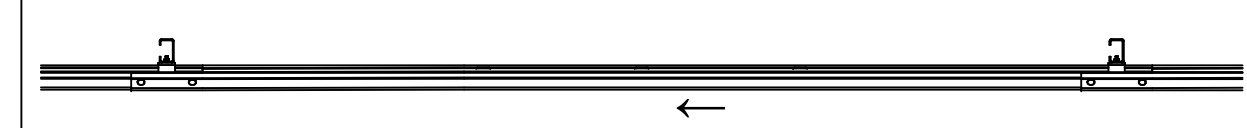
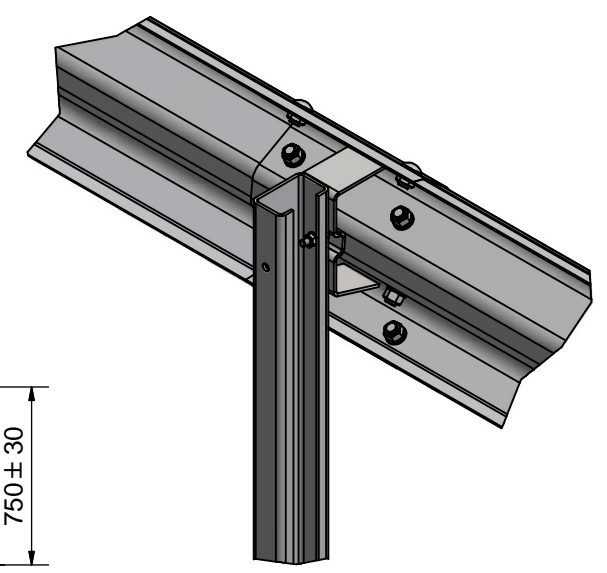
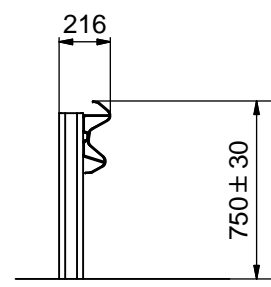
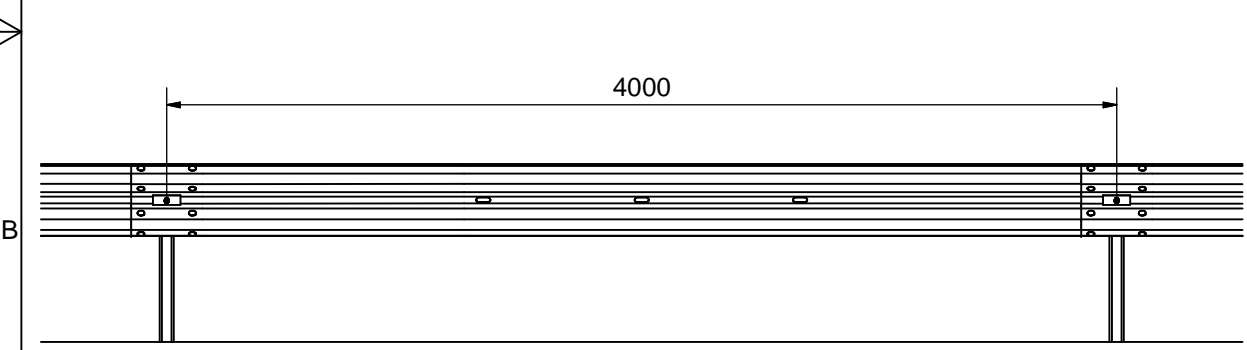
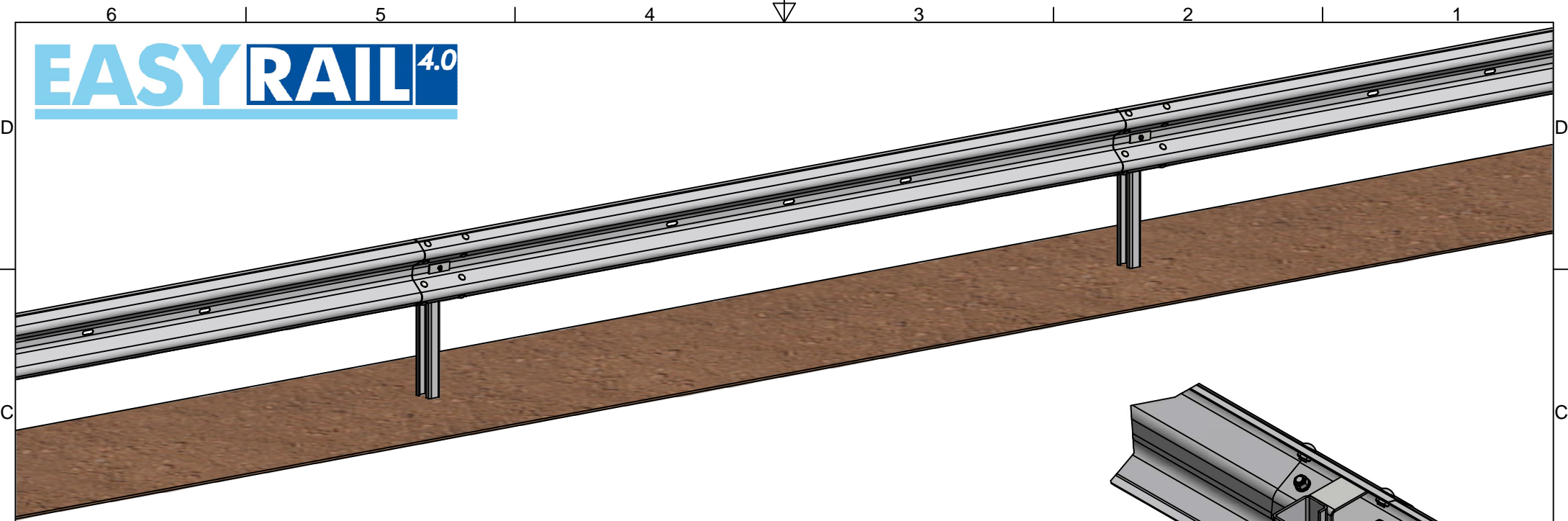


EASYRAIL^{4.0}



EASYRAIL, A, PA 4,0 m, Pfosten 1.750 mm lg.
 EASYRAIL, A, PA 4.0 m, post 1,750 mm lg.

Part-No.: ko1513-01

| | | | | |
|-----------|------------|---------------|--|---|
| Drawn | 18.10.2013 | Y.Aller | VOLKMANN & ROSSBACH GmbH & Co. KG Hohe Strasse 9-17 56410 Montabaur • Germany Tel.: +49 (0) 2602 135-0 • Fax: -490 |  |
| Checked | 18.10.2013 | HJ.Schnitzler | | |
| EN 1317-2 | | N2-W4-A | | |

Without our permission, this drawing must not be copied, nor to be handed over to any competitor nor to be made available to any other third party.

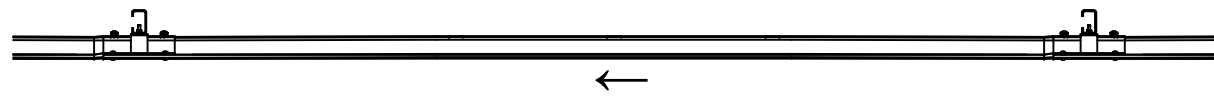
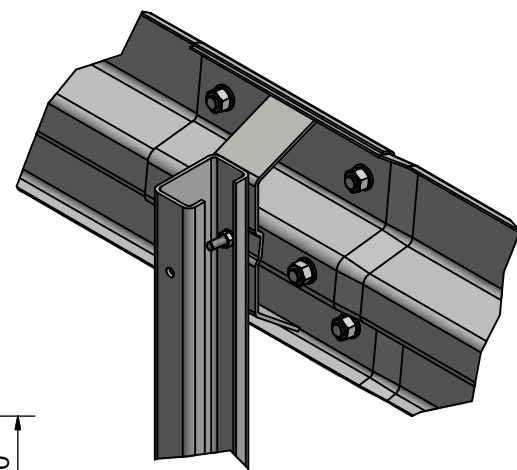
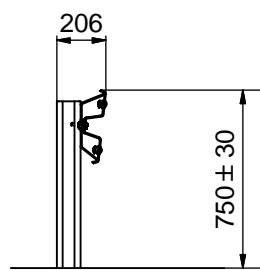
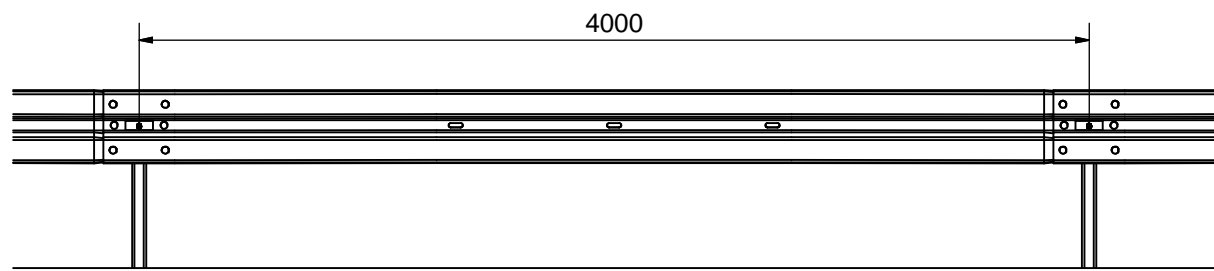
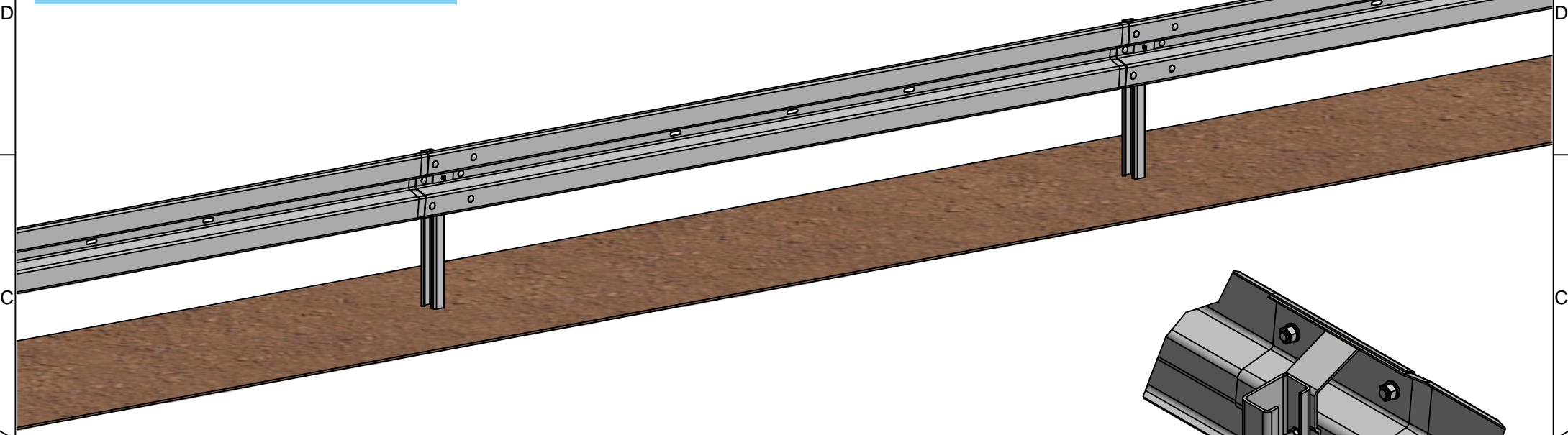
Origin ENG-008518

ko1513-01

Replacement for _____ Replaced by _____

Sheet 1 / 1
 Rev. B

EASYRAIL 4.0



EASYRAIL, B, PA 4,0 m, Pfosten 1.750 mm lg.
 EASYRAIL, B, PA 4.0 m, post 1,750 mm lg.

Part-No.: ko1513-02

| | | | | |
|-----------|------------|---------------|--|---|
| Drawn | 18.10.2013 | Y.Aller | VOLKMANN & ROSSBACH GmbH & Co. KG Hohe Strasse 9-17 56410 Montabaur • Germany Tel.: +49 (0) 2602 135-0 • Fax: -490 |  |
| Checked | 18.10.2013 | HJ.Schnitzler | | |
| EN 1317-2 | N2-W4-A | | | |

Without our permission, this drawing must not be copied, nor to be handed over to any competitor nor to be made available to any other third party.

Origin ENG-008526

Replacement for

Replaced by

ko1513-02

ENG-008526

Sheet 1/1
Rev. B